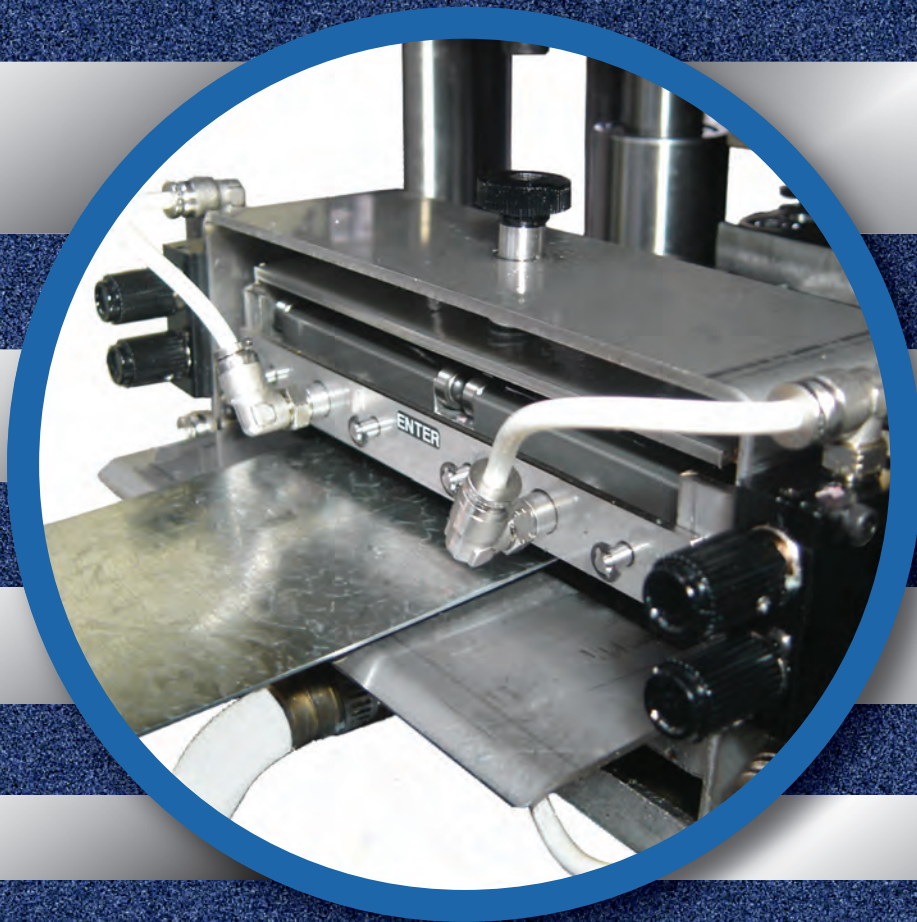


The MiniCoater[®]



LSP[®] INDUSTRIES, INC.
ROCKFORD, IL 61104

Here's how it works!

A pressurized reservoir supplies lubricant to the MiniCoater. A mechanical clamp on the top of the MiniCoater is used to open the rolls. Coil stock is placed through the rolls and the clamp is then engaged, causing the rolls to close on the coil stock.

A Solenoid located under the Reservoir is set to open and close at a programmed count. Every time the solenoid opens lubricant is deposited on to the rolls.

The volume of lubricant dispensed is determined by how often and/or how long the Solenoid Valve is kept open. Two needle valves are used to give selective volume control to either top and/or bottom rolls.

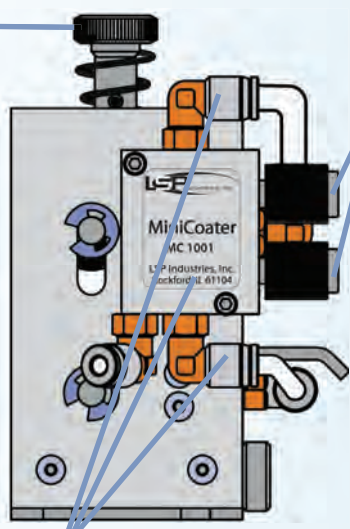
Mechanical Roll Lift

Twist and lift to open the rolls. Insert new coil. Untwist and release to close rolls. Spring loaded always keeps pressure on the coil.

Frame

Heavy-duty stainless steel

SIDE VIEW

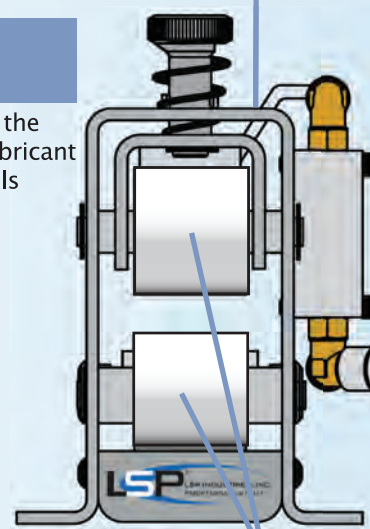


Needle Valves
Fine tune the flow of lubricant to the Rolls

Lubricant In Manifold

Receives lubricant from Pressure Pot and distributes it to top and bottom Rolls

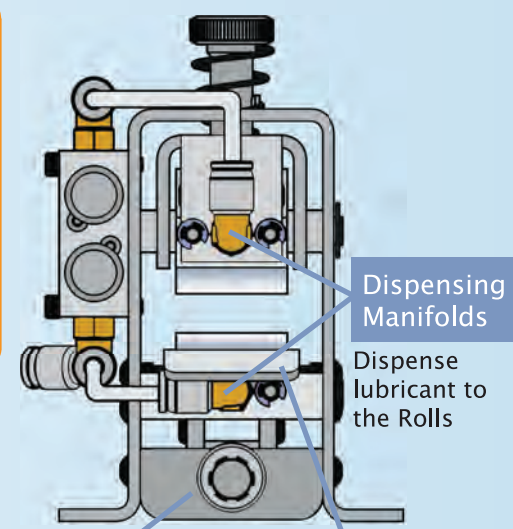
FRONT VIEW



Rolls

Available in Felt, Smooth Polyurethane or Textures Polyurethane

REAR VIEW



Reservoir

Collects excess lubricant during setup operation

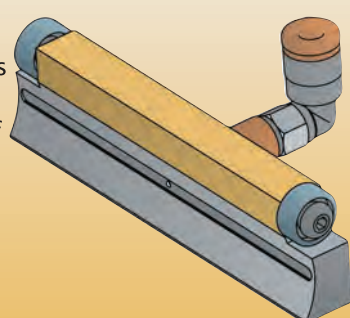
Stock Guide

Guides material to the rolls when loading

Dispensing Manifolds

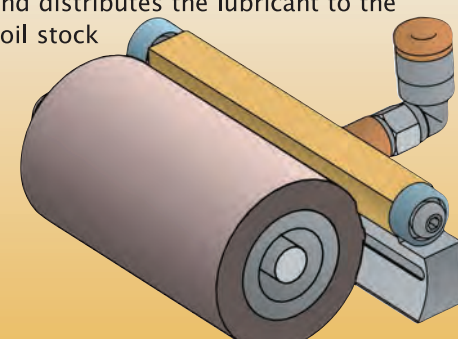
Dispense lubricant to the Rolls

Dispensing Manifolds place lubricant on to the rolls each time the Electronic Counter opens. As the lubricant is dispensed it is spread evenly over the length of the rolls.



Dispenser Manifolds are concave to fit the curvature of the roll. The Manifold rides against the rolls supported by a set of bearings to eliminate any drag. A hinged support gives it a floating action over the roll.

The Lubricating Roll works in conjunction with the Dispenser Manifold and distributes the lubricant to the coil stock



The MiniCoater Line

The Heavy Duty Miniature Roller Coater

MCE-310 Electronic Controller

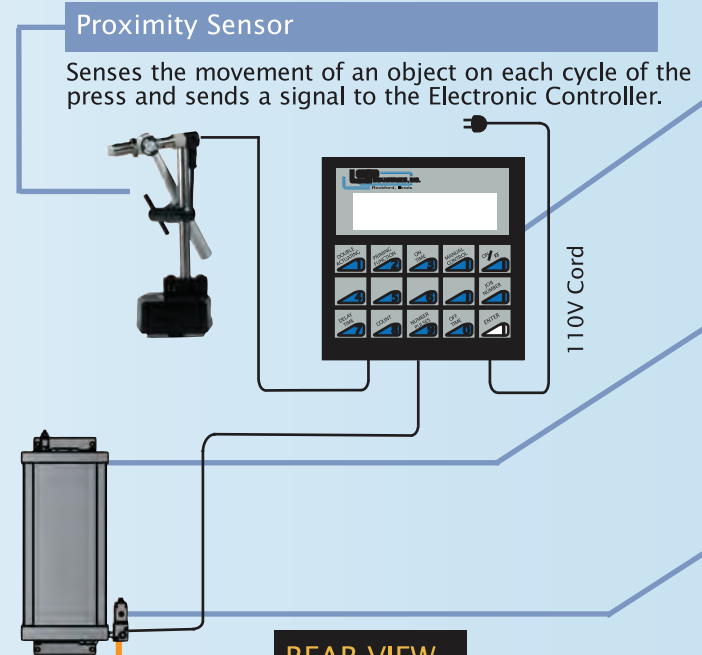
Counts cycles of the press and opens the solenoid valve allowing for the precise programmed amount of lubricant to flow from the Reservoir to the MiniCoater.

Reservoir, One Gallon

Pressure pot with 30 psi blow-off and 100 Micron Filter. Clear Lexan reservoir allows easy viewing of lubricant volume.

Solenoid Valve - 24V

The solenoid receives a signal from the Controller and opens sending lubricant to the MiniCoater.



Proximity Sensor

Senses the movement of an object on each cycle of the press and sends a signal to the Electronic Controller.

110V Cord



One Inch MiniCoater
MC1001 w/Felt Rolls
MC1031 w/Smooth Polyurethane Rolls.
MC1061 w/Sure Grab Polyurethane Rolls.

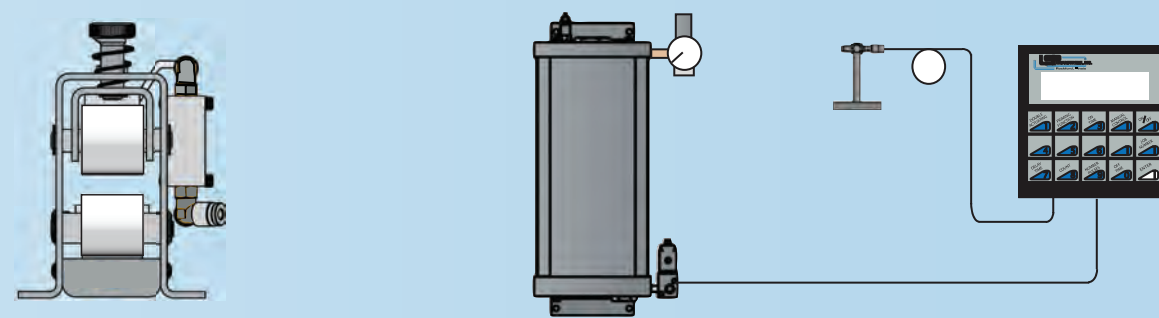
Three Inch MiniCoater
MC1002 w/Felt Rolls
MC1032 w/Smooth Polyurethane Rolls.
MC1062 w/Sure Grab Polyurethane Rolls

Six Inch MiniCoater
MC1003 w/Felt Rolls
MC1033 w/Smooth Polyurethane Rolls.
MC1063 w/Sure Grab Polyurethane Rolls.

Nine Inch MiniCoater
MC1004 w/Felt Rolls
MC1034 w/Smooth Polyurethane Rolls.
MC1064 w/Sure Grab Polyurethane Rolls.

Twelve Inch MiniCoater
MC1005 w/Felt Rolls
MC1035 w/Smooth Polyurethane Rolls.
MC1065 w/Sure Grab Polyurethane Rolls.

A MiniCoater System
Consist of a MiniCoater of choice, a One Gallon Reservoir, an Electronic Controller and Tubing. A system includes all of the equipment necessary for a complete and speedy installation. All components are designed to function together to give optimum performance while reducing lubricant consumption.



The MiniCoater Packages

- The MiniCoater w/LSP MCE-310 Electronic Controller and a MC-312 Fluid Pressure Pot.
- The MiniCoater w/Solenoid Valve and a MC-312 Fluid Pressure Pot.

	1 inch	3 inch	6 inch	9 inch	12 inch
w/Felt Rolls	1021	1022	1023	1024	1025
w/Smooth Polyurethane Rolls	1051	1052	1053	1054	1055
w/Sure Grab Polyurethane Rolls	1081	1082	1083	1084	1085
w/Felt Rolls	1011	1012	1013	1014	1015
w/Smooth Polyurethane Rolls	1041	1042	1043	1044	1045
w/Sure Grab Polyurethane Rolls	1071	1072	1073	1074	1075

Accessories

MCE-315 Electronic Counter

Can be used in place of the MCE-310 Electronic Pulsator. Sends repetitive signals to send lubricant to the MiniCoater. These signals are from one in ninety nine hours to 300 per minute. The timer is not tied to the cycles of the press but is tied into the ON/OFF cycle of the press. The controller is attached to an external switch on the press and is activated and stays on as long as the press is cycling. When the switch is in the OFF mode the Timer stops cycling. For use on high speed presses, roll formers and other similar equipment.



420VAL02 Solenoid Valve (24V)

An alternative method of controlling lubricant to the MiniCoater. Attaches to the press PLC.



MC-312 1 Gallon Reservoir

Reservoir can be mounted either higher or lower than the MiniCoater. Pop-off Valve holds pressure at under 30 PSI. Includes pressure regulator and fluid solenoid valve.

MiniCoater Dimensions					
	MC1001	MC1002	MC1003	MC1004	MC1005
A	3.071	3.071	3.071	3.071	3.766
B	2.100	2.100	2.100	2.350	3.000
C	1.250	1.250	1.250	1.250	2.000
D	.265	.265	.265	.265	.265
E	1.858	3.858	6.858	9.858	12.625
F	1.214	3.214	6.214	9.214	11.851
G	.375	.375	.375	.375	.375
H	3.108	5.358	8.358	11.358	14.125
I	4.654	4.654	4.654	4.654	5.504
J	3.750	3.750	3.750	3.750	4.600
K	1.520	1.645	1.645	1.645	2.000
L	1.00 Dia.	1.00 Dia.	1.00 Dia.	1.00 Dia.	1.500 Dia.
M	.971	.971	.971	.971	.766

